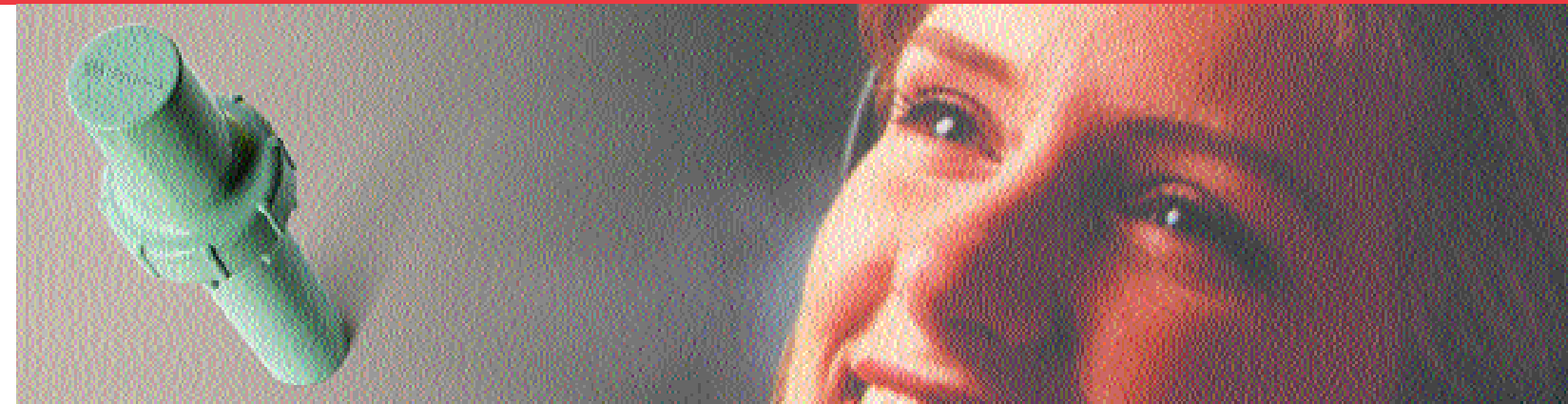


# The difference between a dose and a solution

**Nuclear Pharmacy Services**

**Nuclear Pharmacy Services**



© Copyright 2003 Cardinal Health, Inc. or one of its subsidiaries.  
All rights reserved.  
Lit. No. NPS00103

♻️ Printed on recycled paper with 10% post-consumer fiber.

Cardinal Health  
Nuclear Pharmacy Services  
6464 Canoga Avenue  
Woodland Hills, CA 91367  
1-800-999-9098

[www.cardinal.com/nps](http://www.cardinal.com/nps)



*Two doses of this radiopharmaceutical may look identical. But they're not.*



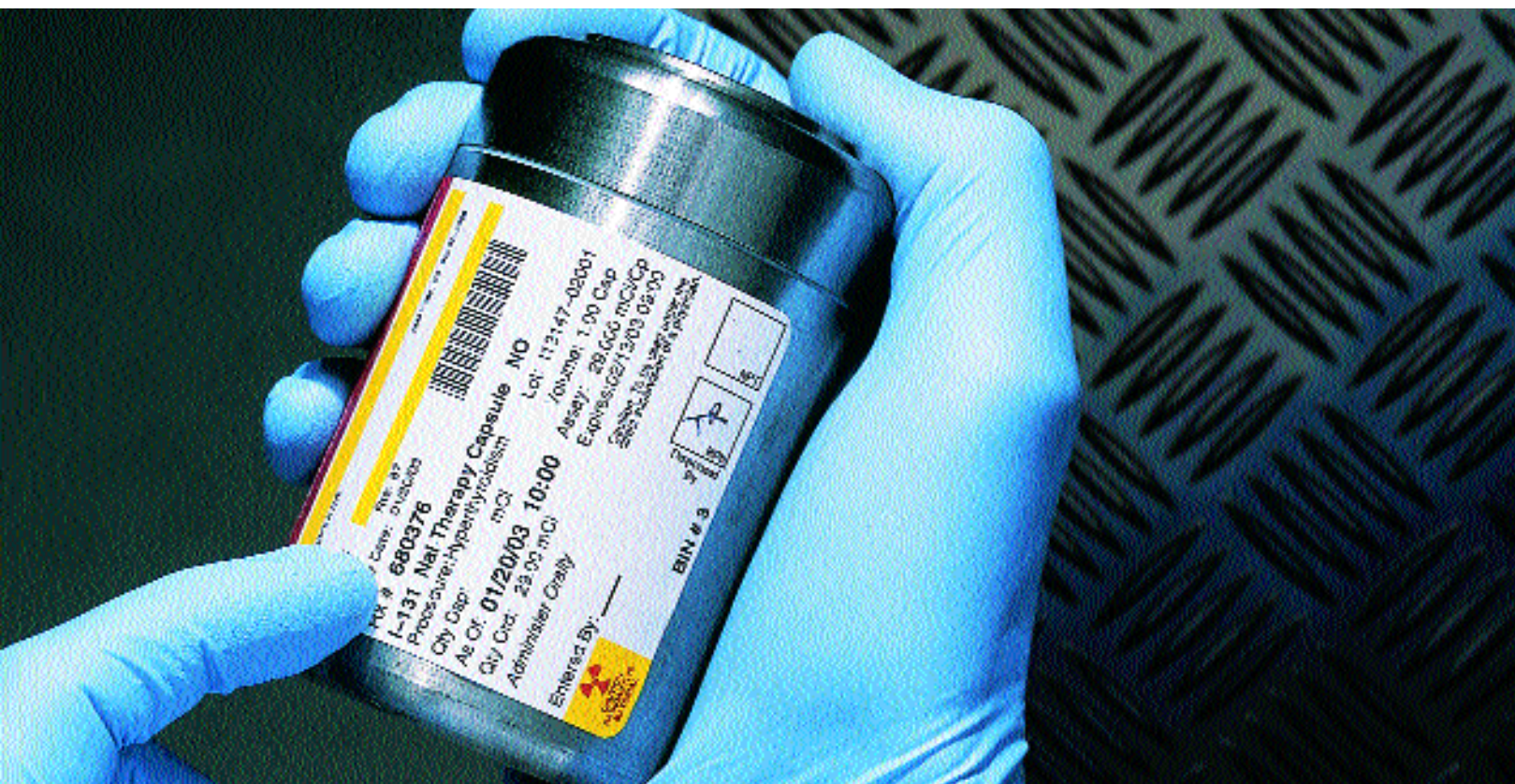
**One is merely a dose. The other is part of a total solution from the Nuclear Pharmacy Services business of Cardinal Health, America's #1 radiopharmacy services provider.**

The total solution — available only from Cardinal Health — reflects the highest standards in compounding, delivery, safety, consulting, information technology, and business support services. It is one of the reasons Cardinal Health has earned the trust of technologists, physicians, materials managers and administrators at more than 7,000 hospitals, outpatient clinics and physicians' offices nationwide.

And it is why Cardinal Health dispenses 65% of all radiopharmaceutical unit doses in the United States — nearly 10,000,000 prescriptions each year.



Cardinal Health offers the total solution:  
Unit dose service is only the beginning.

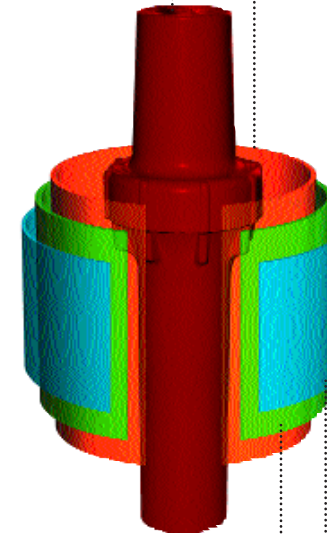


**UNIT SERVICE DOSE**

- Quality
- Reliability
- Safety
- Productivity
- Convenience

**VALUE ADDED SERVICES**

- Safety Solutions
- Department Management
- Operational Excellence
- Professional Consultation
- IT Customer Solutions



**EXPANDED SOLUTIONS**

- PET Solutions
- Medical and Health Physics Solutions
- Staffing Solutions
- Radiation Management Solutions
- Technology Solutions
- Complex Pharmaceuticals
- Continuing Education Programs
- IT Customer Solutions

**INDUSTRY LEADERSHIP**

- Policy Development
- Membership

**Unit Dose Service: The right dose, at the right place, at the right time.**

Cardinal Health's unit dose radiopharmacy services save you time and money. Technologists can schedule patients more efficiently and respond to patients' needs on very short notice. There is no need to purchase bulk materials and mix individual doses on-site, and no need to worry about wasting time-sensitive radioactive materials, since you order only what you need, when you need it.

With Cardinal Health's unit-dose service, record keeping and regulatory compliance are easier. Radiation exposure and hazardous material handling are minimized. You can treat your patients more effectively, no matter when they need your services.

**More Than A Dose: Value-Added Services**

Cardinal Health's total solution goes beyond providing the highest quality unit-dose service. Cardinal Health provides clinical, regulatory and technical consultation. It also provides the leading Nuclear Medicine Department Management System, safety and compliance programs, reimbursement information, SNM-accredited educational programs on-line, radiation safety equipment and accessories, and technologist staffing support. The Cardinal Health solution meets all your needs.

**Leadership: Experience and Innovation**

Cardinal Health's total solution has been helping customers be more successful for over 25 years. Our experience is recognized by professional societies, regulatory agencies, and customers across the country. And Cardinal Health's innovations continue, with tools for regulatory compliance, new solutions for staff ergonomics, and information about the latest generation of radiopharmaceuticals.

The Cardinal Health solution begins with a vast, national network of pharmacies that dispense and deliver to the point of care complex, time-critical pharmaceuticals for diagnostic imaging and therapy.

Cardinal Health is the only provider that owns and operates a nationwide (radio) pharmacy network. Leveraging these resources, Cardinal Health can deliver a single unit dose to 85% of US hospitals within 2-3 hours of the time an order is placed, with availability, reliability, quality, and consistency of service unmatched in the industry.

When you consider everything it takes for your Nuclear Medicine practice to be productive, competitive and compliant, Cardinal Health's total solution is the logical choice. Unequalled availability and on-time delivery from the industry's leading nationwide network of pharmacies.



*Unequaled availability and on-time delivery from the industry's leading nationwide network of pharmacies*



**99.999% Accuracy from the Radiopharmaceutical Experts**

Cardinal Health pharmacists are specially trained and licensed in the handling and use of radiopharmaceuticals delivered to every Cardinal Health customer.

More than one-third of Cardinal Health's pharmacists have earned Board Certification in Nuclear Pharmacy. Licensed pharmacists take orders. Quality Control testing is performed on every pharmaceutical preparation. And all orders for therapeutic prescriptions are cross-checked by two separate pharmacists.

Every pharmacy undergoes corporate regulatory audits on a regular basis, to assure that the knowledge and experience of the entire network is reflected in local pharmacy operations.

Our experience and commitment to quality pay off in exceptional reliability and a prescription accuracy rate of 99.999%.

**Your 24-Hour Radiopharmaceutical Resource**

But Cardinal Health's radiopharmaceutical experts do more than fill prescriptions — they're part of your team. 24 hours a day, 7 days a week, 365 days a year, they're available as a consulting and educational resource, to answer your questions, provide information about unusual patient situations, dosage issues, new radiopharmaceutical products, new state pharmacy regulations or infrequently used products.

They have answers and expertise you can't get anywhere else — all part of the total solution. The solution that's trusted worldwide.



*Delivering the right dose, to the right place, at the right time.*



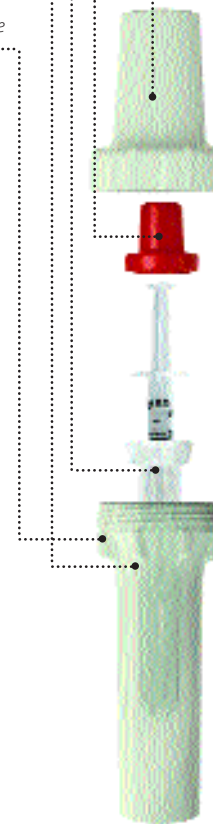
*The Unit Dose Pig provides radiation shielding. The top includes an o-ring to protect against possible fluid leaks.*

*The red disposal cap incorporates a bio-hazard symbol. The cap locks in place after the used syringe is returned to the insert, creating an OSHA-compliant point-of-use sharps container.*

*The single-use SECURE® Insert keeps the pig lead shield clean, helping to eliminate potential contamination of doses from previously used syringes.*

*The SECURE® Safety Insert is puncture resistant and leakproof on the bottom and sides.*

*The wider base and ridges minimize rolling.*



### **Safety First**

Cardinal Health's total solution includes innovations for the safe handling and administration of radiopharmaceuticals, with protection from radiation exposure and blood-borne pathogen hazards. Cardinal Health's patented SECURE® Safety Insert System combines ALARA (As Low As Reasonably Achievable) principles with OSHA (Occupational Safety and Health Administration) compliance, insuring every dose is dispensed properly, without compromise.

Don't be in the position of trading one risk for another. Choose Cardinal Health and get engineered needlestick prevention controls that enhance staff and patient safety.

### **Local Services For Your Specific Needs**

The local Cardinal Health pharmacy team will tailor delivery arrangements to meet the demands of your schedule, and the demands of the unscheduled patient, 24 hours a day. As your needs change, so does the service we provide

Unit dose prescriptions are delivered every day by a Cardinal Health Customer Service Assistant (CSA), who becomes a familiar face in your department.

Cardinal Health Customer Service Assistants are professionals trained in DOT (Department of Transportation), NRC (Nuclear Regulatory Commission) and local regulations for the safe handling of radioactive materials. All of our Customer Services Assistants have a photo identification badge—added security for your facility.

### **Backed by Nationwide Resources**

Every local Cardinal Health pharmacy is part of a national network. A network that shares resources and coordinates efforts to provide you with the best service possible. Managing product inventory to maximize availability and minimize total waste. Exchanging knowledge and experience to help you deal with unusual situations. Coordinating pharmacy staff and operations to maintain service levels to you. So products, services and expertise are available, when and where you need them.

## Cardinal Health offers the total solution that's shaping the future of nuclear medicine.



### PET Services

Cardinal Health brings its total solution to one of the fastest growing areas of Nuclear Medicine, not only with high quality PET radiopharmaceuticals, but also with proprietary tools for physician education, marketing support, reimbursement information and radiation safety, all designed to help build a successful PET practice.

### Radiation Management Services

As specialists in ionizing radiation, Radiation Management Services provides instruments, accessories and supplies in Nuclear Medicine and beyond, including CT, X-ray, radiation therapy, ultrasound and MRI.

Victoreen and Nuclear Associates are two of the well-known names in the Radiation Management Services family — like Cardinal Health, names you know and trust.

### Professional Services

The Medical Imaging Staffing Services business of Cardinal Health provides highly-trained technologists for Nuclear Medicine, PET and other imaging modalities. Certified technologists are available short-term, long-term, part- or full-time, tailored for your situation.

Cardinal Health offers expert consultation on radiation safety and regulatory compliance, license applications and amendments, radiation safety programs, NRC or state audit support.

### Nuclear Oncology Services

Cardinal Health provides a full product line of seeds for brachytherapy. But radiation oncologists also benefit from the Cardinal Health total solution for their particular needs — therapy planning services, customized delivery and pick-up of waste materials, and educational support.

### Clinic Start-Up Assistance

Cardinal Health provides turnkey practice development and management services to the outpatient cardiologist, plus equipment selection and leasing, staffing, practice management — as much or as little as you need.

### Complex Pharmaceuticals

Applying Cardinal Health standards outside radiopharmacy services, Cardinal Health now distributes a select group of pharmaceutical products that require rapid response and same-day delivery. Providing STAT service directly to the point of care, Cardinal Health Customer Service Assistants deliver directly to the pharmacy or clinical department, not the loading dock or information desk.

### People Helping People — The Cardinal Health Philosophy

From board-certified pharmacists who fill your orders and answer questions 24 x 7, to specially-trained Customer Service Assistants who provide timely deliveries and pick-ups several times a day, to sales consultants who focus on your needs to deliver better solutions, Cardinal Health professionals function like members of your team, smoothing the way, making your job easier.

The services they provide set the standard for the industry and grow out of Cardinal Health's corporate culture — a culture based on people, products and processes that make health care better.

## The total solution offers you:

- ✓ A nationwide network, giving you access to the largest pool of nuclear medicine expertise in the industry
- ✓ 24x7x365 pharmacist availability by cell phone or pager
- ✓ Coordinated pharmacy operations to maximize product availability and flexible delivery options for you
- ✓ Proprietary radiation safety accessories for safe handling of isotopes like Iodine-131, Fluorine-18, and Yttrium-90.
- ✓ Clinical expertise for the Nuclear Cardiology gold standard-Cardiolite®
- ✓ Department Management System — proprietary software, support, field-based training personnel, toll-free help desk, and electronic pharmacy interfaces
- ✓ Professional sales consultants, focused on meeting your needs and concerns in Nuclear Medicine
- ✓ On-line Society of Nuclear Medicine-approved educational programs
- ✓ SECURE® Safety Insert System for handling pharmaceuticals with uncompromised protection from radiation exposure and needlestick hazards
- ✓ Product deliveries by company-employed Customer Service Assistants, with specialized training and photo identification for security
- ✓ FDG pharmacy distribution using proprietary radiation safety products and business growth tools and services
- ✓ Comprehensive array of products and services for radiation safety, including state-of-the-art accredited calibration laboratory services.
- ✓ Technologist staffing services for Nuclear Medicine and other modalities
- ✓ Over 25 years of experience, innovation, and a focus on solutions that help customers.

### More Than a Quarter Century of Innovation Behind Every Dose

From 1973, when the Nuclear Pharmacy Services business of Cardinal Health pioneered the commercial radiopharmaceutical industry, constant innovation has been a cornerstone in the company's culture, benefiting patients, health care providers and insurers. Early innovations included a Department Management System, the SECURE® Safety Insert System and our copyrighted Exposure Control Plan. More

recently, the CardioWriter™ report writer system, and the PETPig™ unit dose syringe shield continue the tradition.

Don't settle for just a dose, when you can have the total solution from Cardinal Health.

Call Cardinal Health today, to fill a prescription, or to learn more about our comprehensive array of products and services.